



Italian Quality

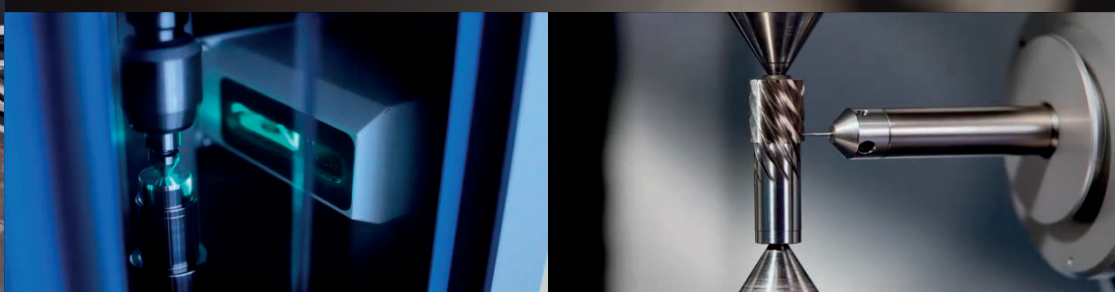
HydroMec products are designed according to two main principles: modularity, thanks to which the gear unit can be assembled to meet various applications requirements and quality, in terms of accurate machining of components.

Our product range includes round and square worm gearboxes, coaxial, helical bevel and parallel shaft gearboxes and customized products on request.

Qualità Italiana

I prodotti HydroMec sono progettati rispettando due principi fondamentali: Modularità grazie alla quale il riduttore può essere composto per adattarlo alle molteplici esigenze applicative e Qualità in funzione di lavorazioni accurate dei componenti.

La nostra gamma di prodotti contempla riduttori di velocità a vite senza fine tondi e quadrati, coassiali, ortogonali a coppia conica, ad assi paralleli ed in esecuzione speciale.



Quick Delivery

High level of quality and service is our everyday challenge. HydroMec structured its manufacturing process and logistics so as to meet constantly increasing market requirements of short lead time and quick deliveries.

Spedizione veloce

Qualità e servizio la nostra sfida quotidiana. HydroMec ha dimensionato la propria struttura produttiva e logistica per soddisfare le esigenze di mercato che richiedono termini di consegna sempre più celeri.



World wide sales network

Rete di vendita mondiale

AMERICAS

Brasil
Canada
Chile
Colombia
Mexico
United States of America

AFRICA

Algeria
Egypt
Marocco
Saudi Arabia
South Africa

EUROPE

Austria
Baltic countries
Belgium
Bulgary
Czech Republic
Denmark
Eire
Finland
France
Germany
Greece
Holland
Hungary
Iceland
Italy
North Ireland
Norway
Poland
Portugal
Romania
Russia
Slovenia
Slovakia
Spain
Sweden
Switzerland
Turkey
United Kingdom
Ukraine

OCEANIA

Australia
New Zealand

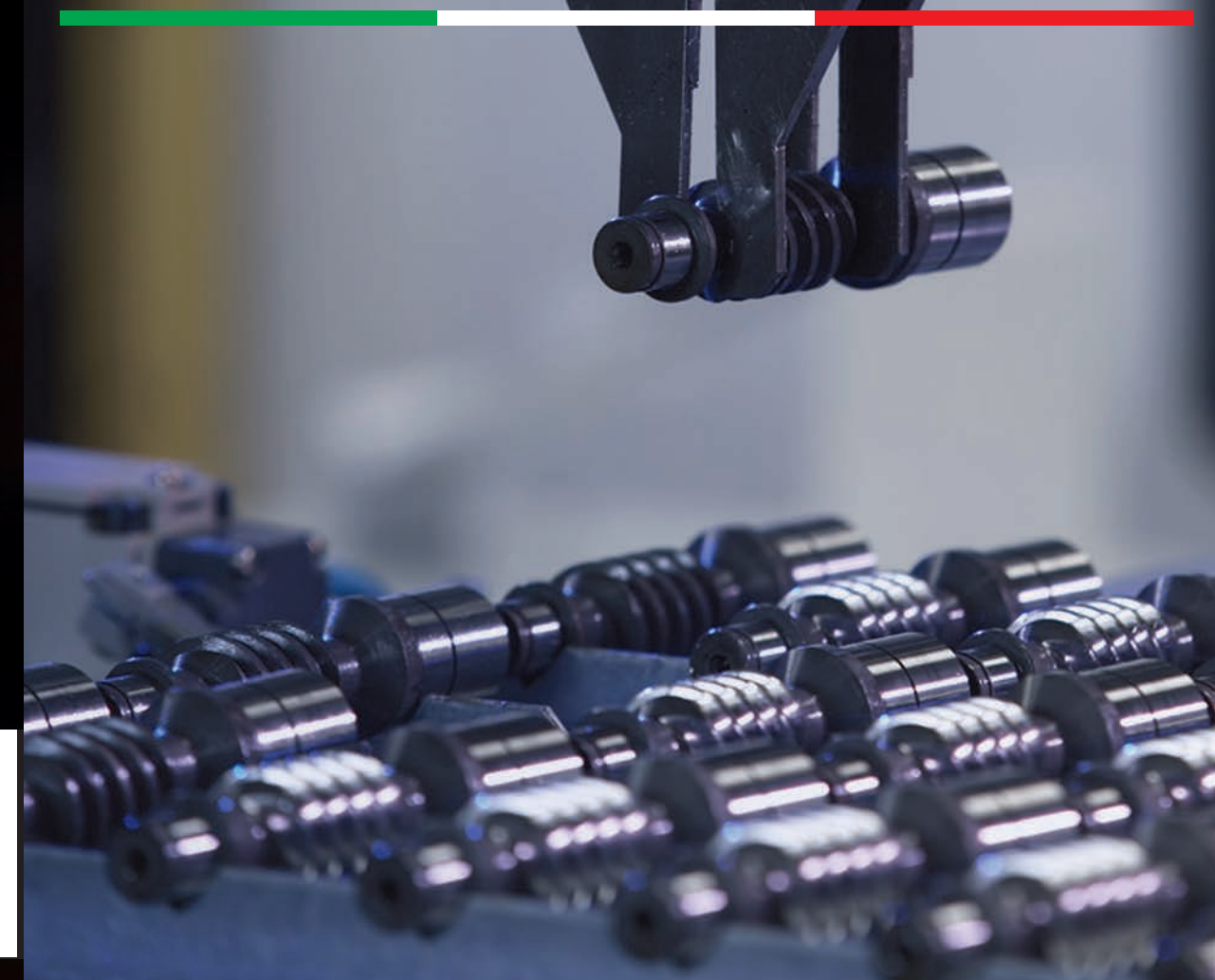
ASIA

China
India
Israel
Korea
South Korea
Taiwan
United Arab Emirates (UAE)

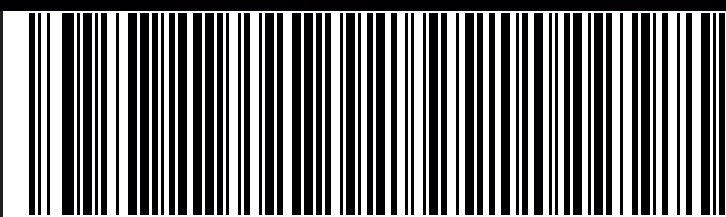
PRODUCT RANGE



Gearboxes Made in Italy



Via della Tecnica, 19 - 36050 Sovizzo (VI)
Tel.: +39 0444 551911 - Fax: +39 0444 536139
hydromec@hydromec.com
posta@pec.hydromec.com
www@hydromec.com



DP - P B M P R - H M O 2 2 - M L



HYDROMEC

Aluminum single stage gearboxes

Riduttori coassiali ad uno stadio in alluminio



SIZE	OUTPUT TORQUE	OUTPUT SHAFT
211A	20 Nm	ø14
311A	30 Nm	ø14
411A	38 Nm	ø19
511A	110 Nm	ø28

Aluminum coaxial gearboxes compact version

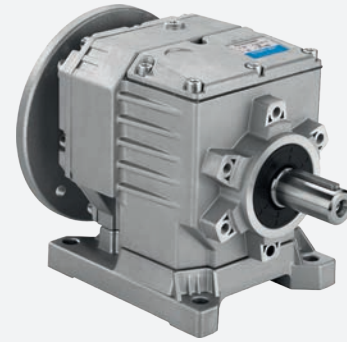
Riduttori coassiali in alluminio versione compatta



SIZE	OUTPUT TORQUE	OUTPUT SHAFT
202A	70 Nm	ø16
302A	120 Nm	ø20
452A	300 Nm	ø30

Aluminum coaxial gearboxes

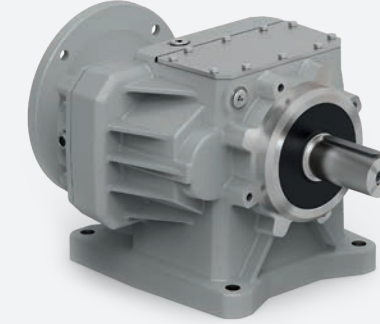
Riduttori coassiali in alluminio



SIZE	OUTPUT TORQUE	OUTPUT SHAFT
412/3A	175 Nm	ø25
512/3A	360 Nm	ø30
612/3A	530 Nm	ø35

Cast iron coaxial gearboxes

Riduttori coassiali in ghisa



SIZE	OUTPUT TORQUE	OUTPUT SHAFT
712/3C	675 Nm	ø35
812/3C	900 Nm	ø40
862/3C	1800 Nm	ø50
1002/3	3000 Nm	ø60
1102/3	4600 Nm	ø70

Shaft mounted gearboxes

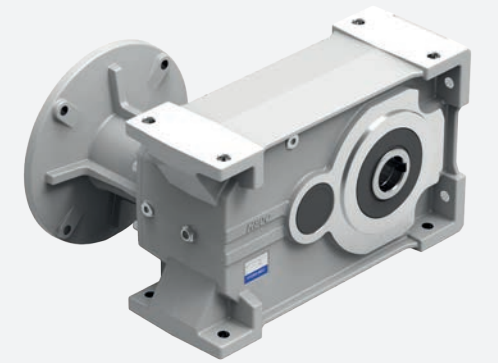
Riduttori pendolari



SIZE	OUTPUT TORQUE	OUTPUT SHAFT
FA32/3	150 Nm	ø25
FA41/2/3	320 Nm	ø30
FA52/3	510 Nm	ø35
FC61/2/3	675 Nm	ø35
FC71/2/3	900 Nm	ø40
FC81/2/3	2100 Nm	ø50

Parallel shaft gearboxes

Riduttori ad assi paralleli



SIZE	OUTPUT TORQUE	OUTPUT SHAFT
H61C	380 Nm	ø35
H62/3C	675 Nm	ø35
H71C	670 Nm	ø40
H72/3C	900 Nm	ø40
H81C	1175 Nm	ø50
H82/3C	2100 Nm	ø50

Worm gearboxes

Riduttori a vite senza fine



SIZE	OUTPUT TORQUE	OUTPUT SHAFT
030	21 Nm	ø14
045	41 Nm	ø18
050	72 Nm	ø25
063	147 Nm	ø25
63A	191 Nm	ø28
085	347 Nm	ø35
110	651 Nm	ø42

Q Series Square worm gearboxes

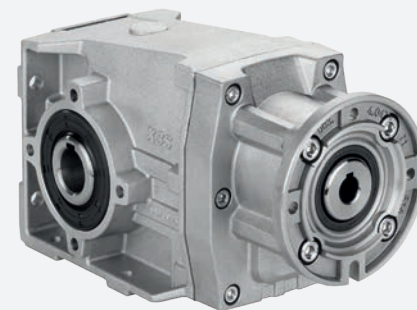
Riduttori quadrati a vite senza fine serie Q



SIZE	OUTPUT TORQUE	OUTPUT SHAFT
Q30	21 Nm	ø14
Q45	41 Nm	ø18
Q50	72 Nm	ø25
Q63	147 Nm	ø25
Q75	270 Nm	ø28
Q85	347 Nm	ø35
Q11	651 Nm	ø42
Q13	1050 Nm	ø45
Q15	1550 Nm	ø50

Aluminum helical - bevel gearboxes

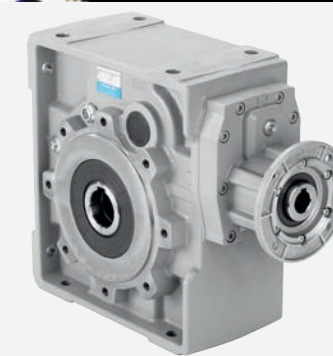
Riduttori ortogonali a coppia conica in alluminio



SIZE	OUTPUT TORQUE	OUTPUT SHAFT
X22S	50 Nm	ø20
X32/3S	100 Nm	ø20
X42/3A	160 Nm	ø25
X52/3A	250 Nm	ø30
X62/3A	410 Nm	ø35

Cast iron helical - bevel gearboxes

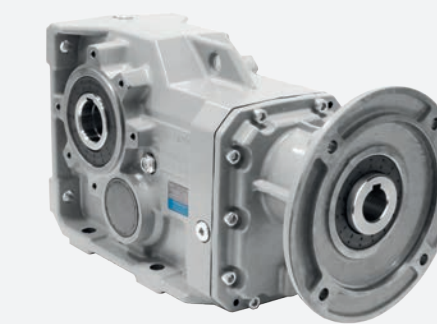
Riduttori ortogonali a coppia conica in ghisa



SIZE	OUTPUT TORQUE	OUTPUT SHAFT
113/4C	675 Nm	ø40
133/4C	1000 Nm	ø45

Cast iron helical - bevel gearboxes

Riduttori ortogonali a coppia conica in ghisa



SIZE	OUTPUT TORQUE	OUTPUT SHAFT
X73/4C	675 Nm	ø40
X83/4C	1000 Nm	ø40
X93/4C	1650 Nm	ø50
X103/4	3000 Nm	ø60
X113/4	4600 Nm	ø70